

Wall-mounting Kits

Wall-mounting Kits

Features and Benefits

- Detachable design for easy mounting
- Wall-mounting installation



Introduction

The wall-mounting kits help to mount Moxa's products on a wall.

Specifications

Physical Characteristics

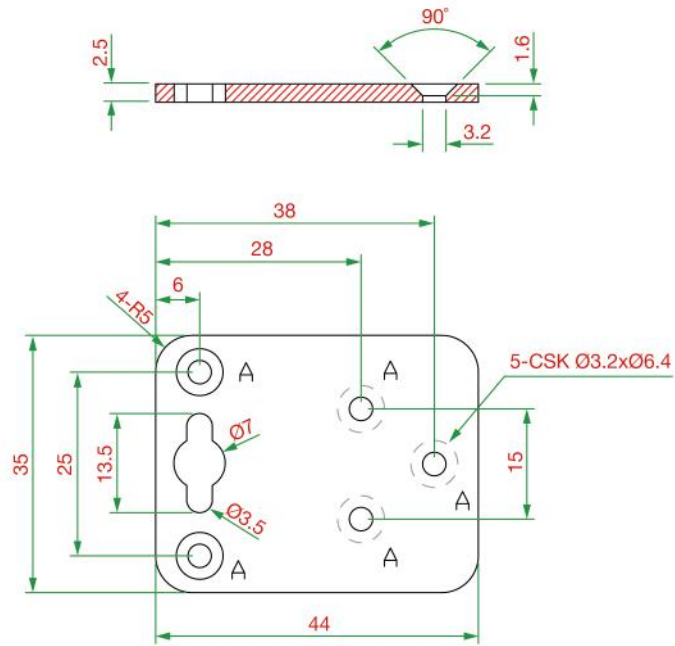
Dimensions

WK-35-01: 35 x 44 x 2.5 mm (1.38 x 1.73 x 0.10 in)
WK-35-02: 35 x 24 x 1.2 mm (1.38 x 0.94 x 0.05 in)
WK-35-04: 35 x 44 x 2.5 mm (1.38 x 1.73 x 0.10 in)
WK-51-01: 51.6 x 67 x 2 mm (2.03 x 2.63 x 0.07 in)
WK-55: 55 x 34 x 2.5 mm (2.16 x 1.34 x 0.10 in)

Dimensions

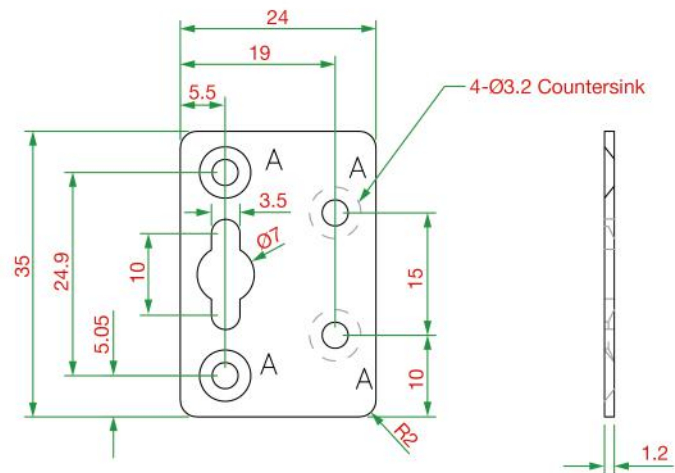
WK-35-01

Unit: mm



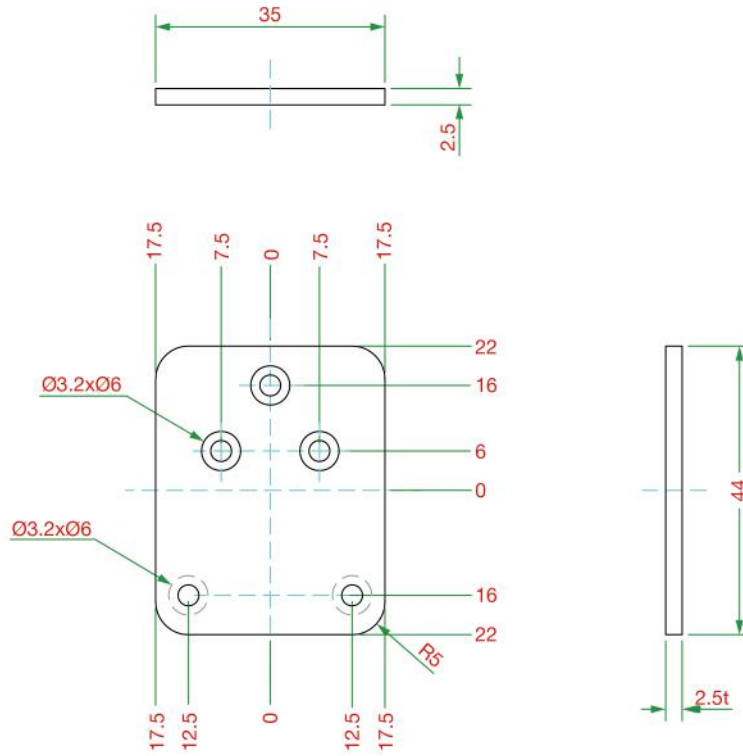
WK-35-02

Unit: mm



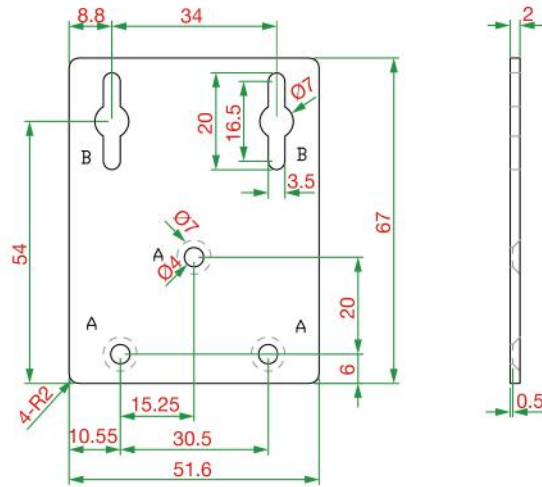
WK-35-04

Unit: mm



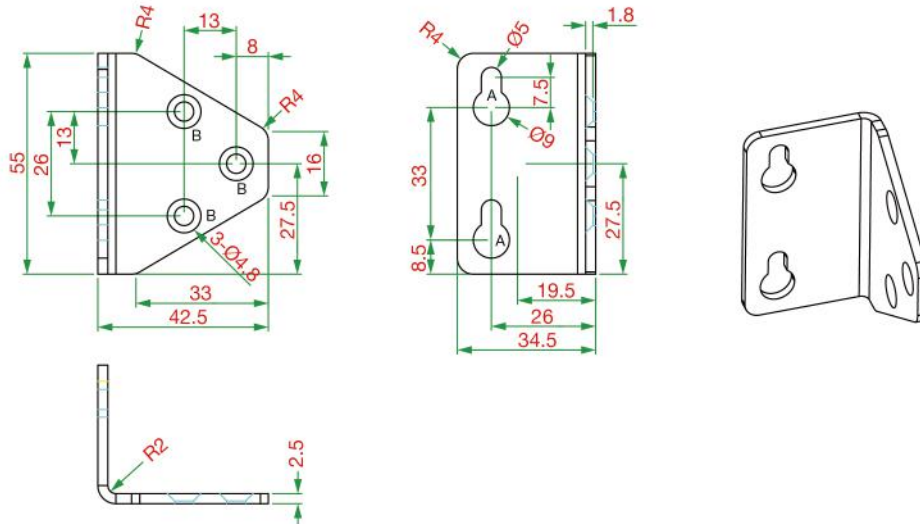
WK-51-01

Unit: mm



WK-55

Unit: mm



Ordering Information

Model Name	Related Products
WK-35-01	NPort 6450 Series UPort 1400 Series AWK-1137C Series UPort 1600-16 Series
WK-35-02	NPort 6100/6200 Series UPort 404 Series UPort 407 Series
WK-35-04	MGate MB3480 Series NPort 5600-DT Series NPort 5600-DTL Series
WK-51-01	AWK-4131A Series AWK-3131A Series AWK-1131A Series
WK-55	AWK-4131A Series

© Moxa Inc. All rights reserved. Updated Jan 30, 2020.

This document and any portion thereof may not be reproduced or used in any manner whatsoever without the express written permission of Moxa Inc. Product specifications subject to change without notice. Visit our website for the most up-to-date product information.