

ANT-LTE-ANF-04 Series

Full-band GSM/GPRS/EDGE/UMTS/HSPA/LTE, 4 dBi, omni-directional IP66 outdoor antennas



Features and Benefits

- Cylindrical style, providing better performance at low bandwidths
- Anti-UV material for better durability
- IP66-rated
- Ventilation holes for draining internal condensation buildup

Introduction

The ANT-LTE-ANF-04 is a full-band GSM/GPRS/EDGE/UMTS/HSPA/LTE omni-directional outdoor antenna with a gain of up to 4 dBi. The antenna's cylindrical design helps achieve better performance at low bandwidths, while the anti-UV material, IP66-rated water resistance, -30 to 75°C operating temperature range, and vents for draining out internal condensation make it suitable for outdoor use.

Specifications

Antenna Characteristics

Frequency	700/800/900/1700/1800/1900/2100/2600 MHz
Antenna Type	Omni-directional
Typical Antenna Gain	3 dBi @ 698 to 969 MHz 4 dBi @ 1710 to 2700 MHz
Connector	N-type (female)
Impedance	50 ohms
Polarization	Vertical
HPBW/Horizontal	360°
V.S.W.R.	< 2.5

Physical Characteristics

Weight	360 g (0.79 lb)
Length	124 mm (4.88 in)
IP Rating	IP66
Radome Color	White
Radome Material	ABS
Installation	L bracket

Environmental Limits

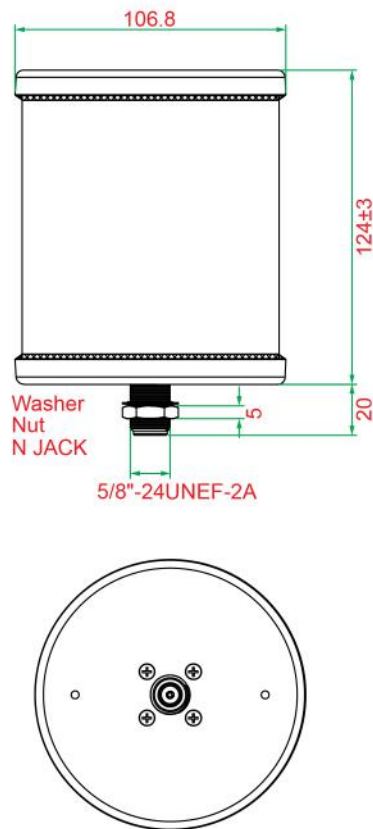
Operating Temperature	-30 to 70°C (-22 to 158°F)
Storage Temperature (package included)	-40 to 85°C (-40 to 185°F)
Ambient Relative Humidity	5 to 95% (30°C, non-condensing)

Warranty

Warranty Period	1 year
Details	See www.moxa.com/warranty

Dimensions

Unit: mm



Ordering Information

Model Name	Frequency	Antenna Type	Antenna Gain	Connector
ANT-LTE-ANF-04	700/800/900/1700/1800/ 1900/2100/2600 MHz	Omni-directional	3 dBi @ 698 to 969 MHz 4 dBi @ 1710 to 2700 MHz	N-type (female)

© Moxa Inc. All rights reserved. Updated Nov 12, 2018.

This document and any portion thereof may not be reproduced or used in any manner whatsoever without the express written permission of Moxa Inc. Product specifications subject to change without notice. Visit our website for the most up-to-date product information.