

# Building Robust Networks for Mission-critical Process Automation



## Featured Products



### EDS-G4012 Series Industrial Managed Switches

- Compact and flexible housing design to fit into confined spaces
- 12 GbE ports with 4 2.5GbE port options
- IEC 62443-4-2 certified



### OnCell G4302-LTE4 Series Industrial LTE Cat. 4 Secure Cellular Routers

- Serial/Ethernet-to-cellular flexibility
- Firewall, NAT, and IPsec VPN for secure connections
- WAN redundancy between Ethernet and cellular



### MDS-G4012 Series Industrial Modular Managed Switches

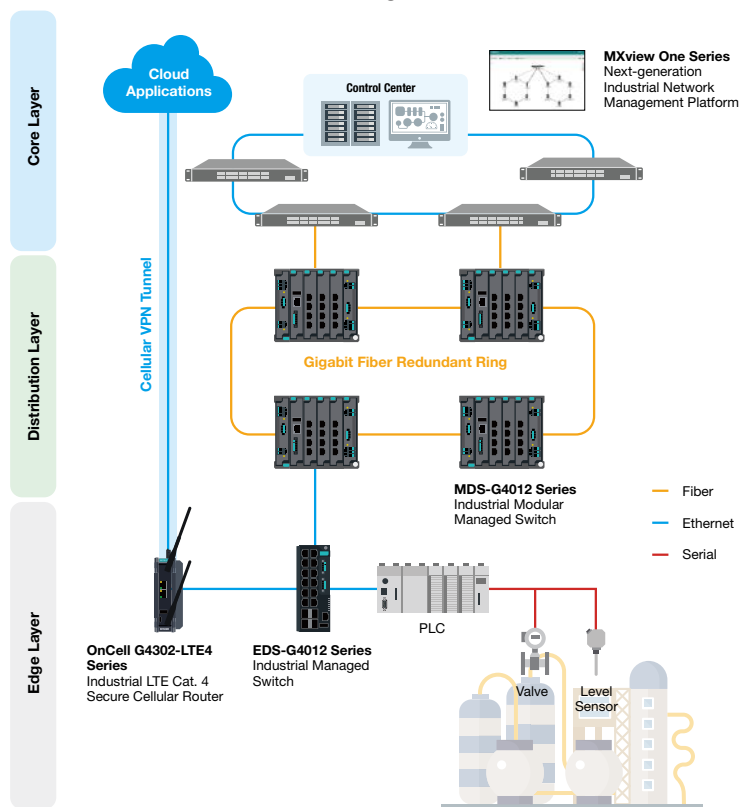
- Up to 8 GbE ports plus 4 embedded GbE ports
- Wide variety of 4-port interface module types for greater flexibility
- Millisecond-level network redundancy



### MXview One Series Next-generation Industrial Network Management Platform

- Visualize the network topology and status
- Real-time alert notifications to minimize downtime
- Easily manage and configure network devices remotely

Oil refineries are one of the mission-critical applications that rely on precise process automation and 24/7 operations. Maximizing operational uptime requires a reliable network infrastructure that can accommodate a great number of connected field devices and enables real-time monitoring at the control center.



## System Requirements

- Highly reliable and flexible Ethernet network communications
- Cellular connectivity to easily connect field devices at the remote sites
- Secure network access for critical device and data protection

## Why Moxa

- Reliability & Performance**
  - Gigabit devices with robust redundancy technology for resilient, high-bandwidth networks
- OT Network Security**
  - Secure network access with access control list (ACL) functionality
  - Secure VPN connections through cellular networks for remote access
- Simplified Management**
  - Simplified network management with intuitive visualization software